

# CLAMPBRO®

## STRONG-ARM



**2 TONNE SERVICE JACK**

MODEL NO: CTJ2GLS

PART NO: 7621026

OPERATION & MAINTENANCE  
INSTRUCTIONS



ORIGINAL INSTRUCTIONS

GC1216

---

## INTRODUCTION

---

Thank you for purchasing this CLARKE Long Chassis Service Jack.

Before attempting to use this product, please read this manual thoroughly and follow the instructions carefully. In doing so you will ensure the safety of yourself and that of others around you, and you can look forward to your purchase giving you long and satisfactory service.

---

## GUARANTEE

---

This product is guaranteed against faulty manufacture for a period of 12 months from the date of purchase. Please keep your receipt which will be required as proof of purchase.

This guarantee is invalid if the product is found to have been abused or tampered with in any way, or not used for the purpose for which it was intended.

Faulty goods should be returned to their place of purchase, no product can be returned to us without prior permission. This guarantee does not effect your statutory rights.

---

## SPECIFICATIONS

---

Part number	7621026
Length (not including handle):	1180 mm
Width	400 mm
Height	230 mm
Height of lifting cup (minimum)	145 mm
Height of lifting cup (maximum)	805 mm
Weight	56 kg
Rated Load	2 tonne
No of strokes from min to max height	42
Pump Oil Capacity	500 ml

---

## SAFETY PRECAUTIONS

---



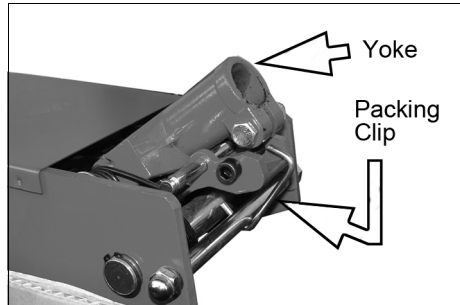
**WARNING: THE OPERATOR MUST FOLLOW ALL INSTRUCTIONS WITHIN THIS INSTRUCTION MANUAL.**

---

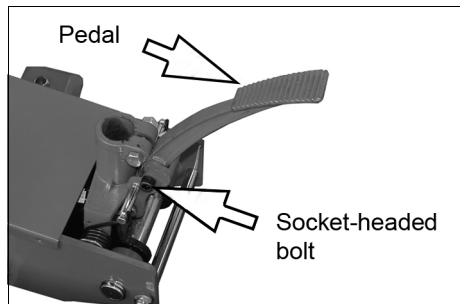
1. This jack is for lifting only, do not move a load using the jack as a dolly.
2. Do not use the jack to lift people.
3. Always inspect the jack before use. Make sure that all parts are in good condition and operating smoothly, and that no cracks or distortion is apparent. If in doubt do not use. Have the damaged parts replaced or consult your CLARKE dealer.
- 4. Make sure that the jack is on a firm solid, level base, and that there is no possibility of it slipping when under load.**
5. Make sure the load is taken by the full saddle and that the point of lift on the load, is strong enough to support the load adequately.
- 6. Do not work under the raised vehicle until it is supported by suitable means e.g. axle stands, NEVER rely on the jack to support the vehicle by itself.**
7. Never push a load off the jack.
8. Ensure that all personnel are well clear of a load being raised or lowered.
9. Do not try to lift more than the rated load for the jack, (See "Specifications" on page 2.)
10. Do not use the jack if an oil leak is apparent. Consult your Clarke dealer.
11. Consult the vehicle handbook to determine the correct lifting points.
12. It is necessary that the operator watch the jack and the load during operation.
13. Check the condition of the labels regularly and replace as required.
14. The jack must be maintained and repaired in accordance with these instructions by a suitably qualified person.
15. Do not make any modifications to the jack or adjustments to the valves.

## BEFORE USE

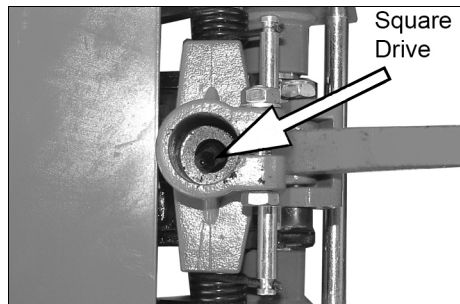
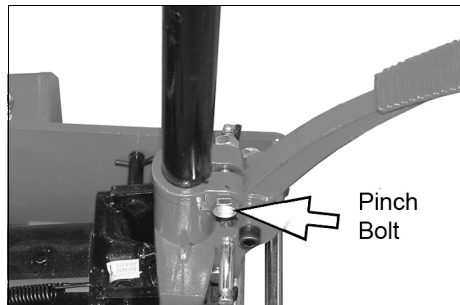
1. Press down hard enough on the yoke to overcome the resistance of the return spring and remove the packing clip shown.



2. Attach the foot pedal using the socket-headed bolt as shown.



3. Loosen the nut and pinch bolt just beside the hole for the handle, to make it easier to insert the handle into the socket.
4. Fit the handle into the handle socket and re-tighten the nut and pinch bolt, ensuring that the operating socket of the handle engages with the square drive of the control valve.

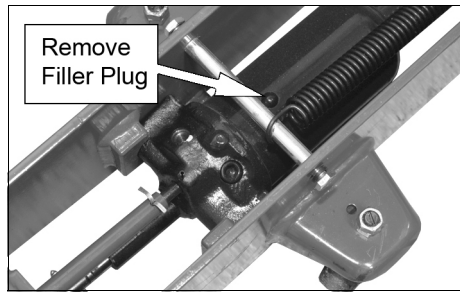
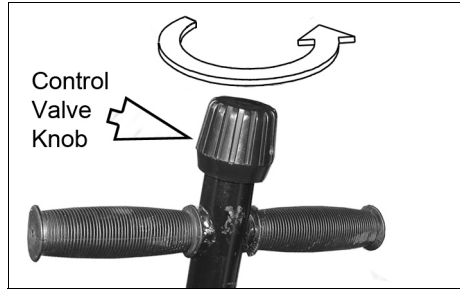


## PURGING AIR FROM THE SYSTEM

If air bubbles become trapped inside the hydraulic system during shipping or transport, the efficiency of the jack will be reduced and the jack will feel spongy.

1. Turn the control valve knob counter-clockwise, relieving the pressure inside the jack.
2. Pump the handle several times to purge air from the system, while pressing down on the filler plug when the air is expelled.
3. Turn the control valve clockwise and test the jack.
4. If efficiency is still poor, check the oil level as described under 'Maintenance'.

The jack is now ready to use.



---

## OPERATION

---

### POSITIONING THE JACK

1. Make sure that the load is stable and on firm level ground.
2. Use suitable wheel chocks to stop the vehicle from moving.
3. Turn the knob on the handle counterclockwise to open the release valve.
4. Put the saddle directly below the lifting point of the vehicle (see the vehicle manufacturers handbook for the locations).
5. Make sure that there is no obstruction that will prevent a clean lift.
6. Ensure that all personnel are in a safe position before you lift the vehicle.

### RAISING THE JACK

1. Turn the handle control fully clockwise to close the release valve.
2. Pump the handle so that the saddle rises to the jacking point.

3. Make sure that the saddle is in full contact with the lifting point and that there is nothing that will prevent a clean lift.
4. Put axle stands below the support points on the vehicle.
5. Make sure that the axle stand is centred below the support point and are stable before full weight of the vehicle is taken on it.
6. Make sure that the axle stands are in good condition and that they can hold the load.
7. Ensure that the axle stands cannot move when supporting the load.
8. Make sure to lower slowly and in a controlled manner on to the axle stands.

## **LOWERING THE JACK**

1. Lift the vehicle to remove the weight from axle stands or other supports.
2. Remove the axle stands or other supports from below the vehicle.
3. VERY SLOWLY and CAREFULLY, turn the release valve anticlockwise - as you do so the jack will lower. To stop it lowering turn the release valve clockwise again.

**NOTE:** This operation must be done very slowly and in full control. DO NOT let the load lower suddenly as this could damage internal components.

4. Remove the jack from below the vehicle.

---

## **MAINTENANCE**

---

### **GENERAL CARE**

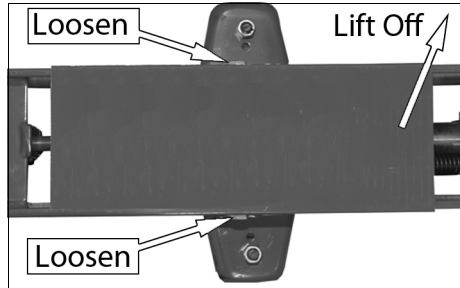
1. When the jack is not in use, keep fully lowered and the release valve closed.
2. Keep the jack clean and occasionally apply lubricating oil to all pivot points, front wheels & rear castors.
3. Periodically check the oil level.
4. Check the pump piston and piston rod periodically for signs of corrosion. Clean exposed areas with a clean oiled cloth.

In the event of damage or broken components, replacements are available from Clarke Parts & Service.

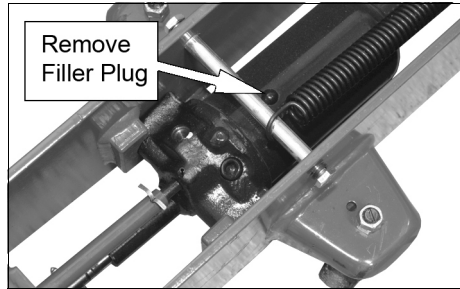
### **CHECKING/TOPPING UP THE OIL LEVEL**

If the jack has been stored for long periods, check for oil leaks before use. If necessary, check the oil level as follows:

1. Ensure the jack is fully lowered by turning the handle fully anticlockwise.
2. Loosen the cover securing bolt and lift off the cover plate.



3. Remove the filler plug, located on top of the cylinder, using a flat bladed screwdriver.
  - Oil must be level with the bottom of the filler hole.
4. Top up if necessary with Clarke hydraulic oil available from your Clarke dealer (part number 3050830).



5. Dispose of old/spilled oil appropriately and wipe up any spillage.
6. Purge any air from the system and replace the filler plug.

## STORAGE

Store in a dry place with the lifting arm fully lowered. If stored for long periods, inspect at least once a year, clean and re-oil. For servicing, contact your CLARKE dealer, or CLARKE International Service Department.

## ENVIRONMENTAL PROTECTION

One of the most damaging sources of environmental pollution is oil products. Never throw away used hydraulic oil with domestic refuse or flush it down a sink or drain. Collect any hydraulic oil in a leakproof container and take it to your local waste disposal site.

If disposing of this product or any damaged components, do not dispose of with general waste. This product contains valuable raw materials and should be taken to your local civic amenity site for recycling of metal products.

## TROUBLESHOOTING

	CAUSE	SOLUTION
Jack will not lift the rated load	Low oil level	Top up the oil as on page 6
	Release valve not closed	Turn the release knob fully clockwise
	Air in the hydraulic system	Purge the system as on page 5
Jack lower when under load	Release valve not fully closed	Turn the release knob fully clockwise
	Air in the hydraulic system	Purge the system as on page 5
Pump feels Spongy	Low oil level	Top up the oil as on page 6
	Air in the hydraulic system	Purge the system as on page 5
Handle raises or flies back under load	Air in the hydraulic system	Purge the system as on page 5
Jack will not lift full height	Low oil level	Top up the oil as on page 6
	Air in the hydraulic system	Purge the system as on page 5
Jack will not lower completely	Return spring may be faulty or parts corroded.	Return to your Clarke dealer for repair

If any of these remedies fail to restore your jack, consult your Clarke dealer.



# DECLARATION OF CONFORMITY



**Clarke**<sup>®</sup>  
**INTERNATIONAL**

Hemnoll Street, Epping, Essex CM16 4LG

## DECLARATION OF CONFORMITY

This is an important document and should be retained.

We hereby declare that this product(s) complies with the following directive(s):

2006/42/EC Machinery Directive.

The following standards have been applied to the product(s):

EN 1494:2000+A1:2008

The technical documentation required to demonstrate that the product(s) meet(s) the requirement(s) of the aforementioned directive(s) has been compiled and is available for inspection by the relevant enforcement authorities.

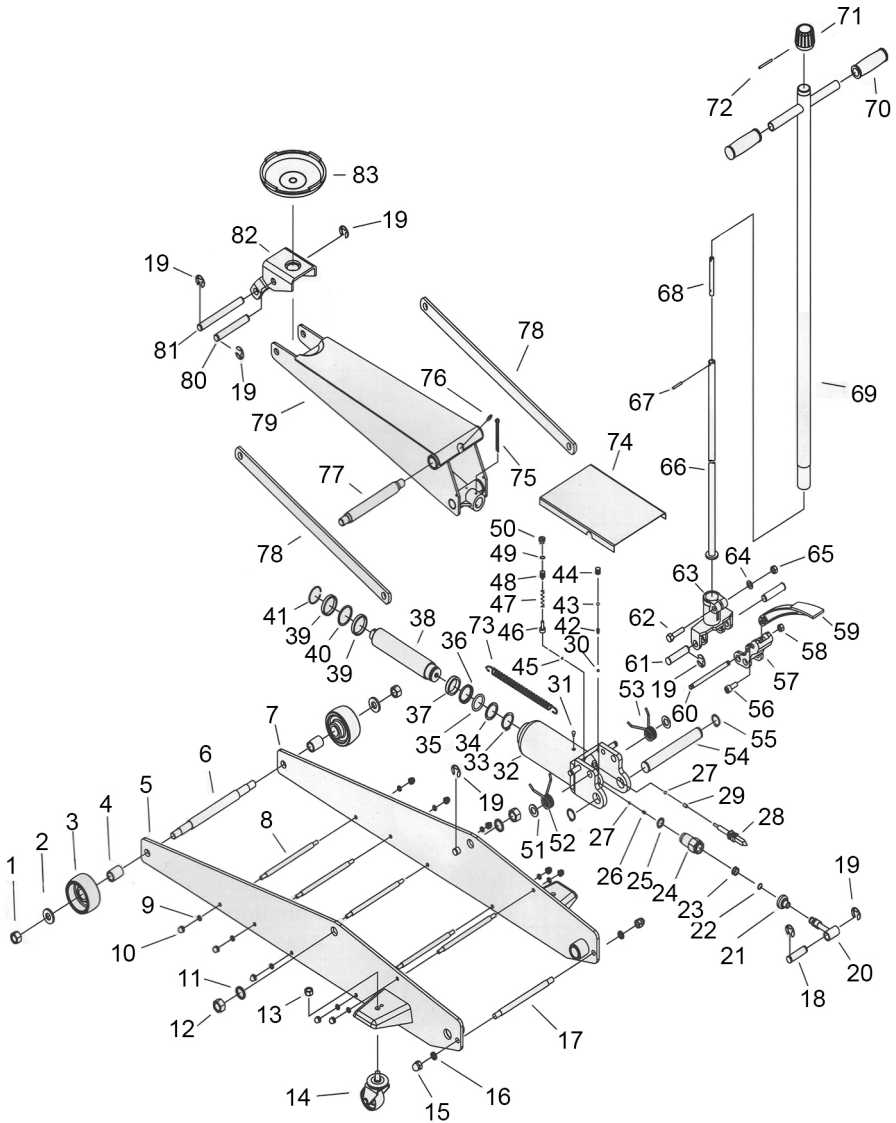
The CE mark was first applied in: 2009

**Product Description:** 2 Tonne Long Reach Service Jack  
**Model number(s):** CTJ2GLS  
**Serial / batch Number:** N/A  
**Date of Issue:** 24/10/2016

Signed:

J.A. Clarke  
Director

# COMPONENT PARTS



## COMPONENT PARTS LIST

	Description
1	Nut M6
2	Washer
3	Front Wheel
4	Bush
5	Left Frame
6	Front Wheel Axle
7	Right Frame
8	Tie Rod A
9	Washer 8dia
10	Nut M8
11	Washer 18 dia
12	Nut M18
13	Nut M12
14	Rear Castor
15	Nut M12
16	Washer 12 dia
17	Tie Rod C
18	Pump Plunger Pin
19	Circlip
20	Pump Plunger
21	Dustproof Boot
22	O-Ring
23	Y-Seal
24	Pump Cylinder
25	Copper Washer
26	Spring
27	Steel Ball
28	Release Valve Rod

	Description
29	Seal
30	Steel Ball 5 dia
31	Oil Filler Plug
32	Hydraulic Ram
33	Circlip
34	O-Ring Retainer
35	O-Ring
36	Sealing Washer
37	Piston Ring
38	Piston Rod
39	Washer
40	O-Ring
41	Circlip
42	Spring
43	Steel Ball 6 dia
44	Screw M8
45	Steel Ball 4 dia
46	Valve Seat
47	Spring
48	Pressure Screw
49	Sealing Washer
50	Safety Valve Screw
51	Washer
52	Torsion Spring B
53	Torsion Spring A
54	Rear Shaft
55	Circlip 26mm
56	Bolt M10 x 60

	Description
57	Pedal Link
58	Nut M10
59	Foot Pedal
60	Bolt
61	Torsion Shaft A
62	Bolt M10x60
63	Handle Socket
64	Washer
65	Nut M10
66	Control Rod
67	Pin 4 dia x 20
68	Control Rod
69	Handle
70	Handle Sleeve
71	Handle Knob
72	Pin 4 dia x 50
73	Tension Spring
74	Top Cover
75	Pin 5 dia x 50
76	Lubrication Nipple
77	Arm Pivot Shaft
78	Connecting Rod
79	Arm Assembly
80	Arm Pin
81	Shaft
82	Saddle Base
83	Saddle

# A SELECTION FROM THE VAST RANGE OF

# Clarke®

## QUALITY PRODUCTS

### AIR COMPRESSORS

From DIY to industrial, Plus air tools, spray guns and accessories.

### GENERATORS

Prime duty or emergency standby for business, home and leisure.

### POWER WASHERS

Hot and cold, electric and engine driven - we have what you need

### WELDERS

Mig, Arc, Tig and Spot. From DIY to auto/industrial.

### METALWORKING

Drills, grinders and saws for DIY and professional use.

### WOODWORKING

Saws, sanders, lathes, mortisers and dust extraction.

### HYDRAULICS

Cranes, body repair kits, transmission jacks for all types of workshop use.

### WATER PUMPS

Submersible, electric and engine driven for DIY, agriculture and industry.

### POWERTOOLS

Angle grinders, cordless drill sets, saws and sanders.

### STARTERS/CHARGERS

All sizes for car and commercial use.



**PARTS & SERVICE: 0208 988 7400**

**E-mail: [Parts@clarkeinternational.com](mailto:Parts@clarkeinternational.com) or [Service@clarkeinternational.com](mailto:Service@clarkeinternational.com)**

**SALES: UK 01992 565333 or Export 00 44 (0)1992 565335**

**Clarke® INTERNATIONAL** Hemnall Street, Epping, Essex CM16 4LG  
**[www.clarkeinternational.com](http://www.clarkeinternational.com)**